

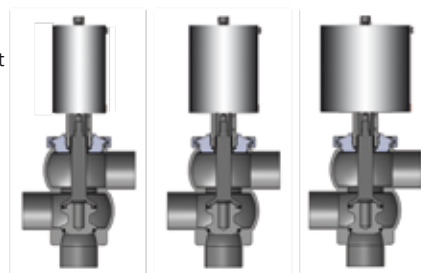
Single seat valves KI-DS

Compact and universal Single seat valves in modular design

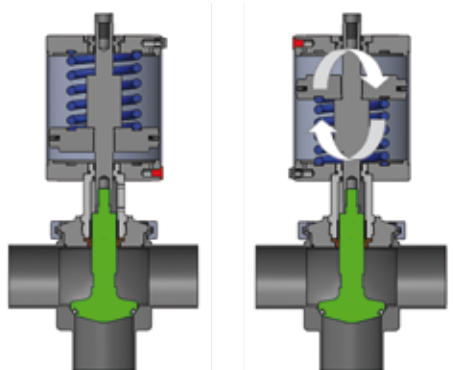
The new compact valve series KI-DS stands out particularly due to their compact design. According to your specific application, you can choose the specific actuator from a modular system of three depending on what capacity is required. Retrofitting to an actuator with a higher capacity is possible without adaptation. The actuators can be changed over either to air to open/spring to close or to spring to open/air to close, simply by turning them. All actuators have the same overall height which allows a trouble-free connection and optimizes considerably the joint connection. Of course, this compact series meets KIESELMANN's high hygienic standards. The valves are available as corner, T- and change-over valves.



Three sizes of actuators for different applications (Operating pressure)



Universal actuator with changeable function



air/open - spring/close

spring/open - air/close

TECHNICAL DATA

Installation sizes:	DN 25 - 100
Materials	1.4404 / AISI 316L
Product contact:	1.4301 / AISI 304
Non-product contact:	1.4307 / AISI 304L
Seal materials:	EPDM (SIP 140°C, 30 min.) FDA compliant HNBR
Surfaces product contact:	Ra ≤ 0,8 µm e-polished
Operating pressure:	6 bar (depends on actuator) higher pressure with variants of actuator possible
Control air:	5,5 - 6 bar

